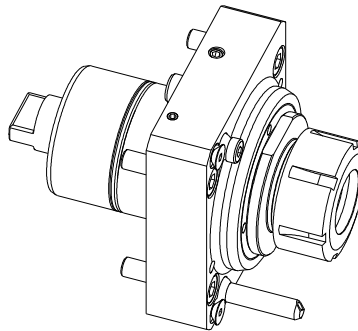
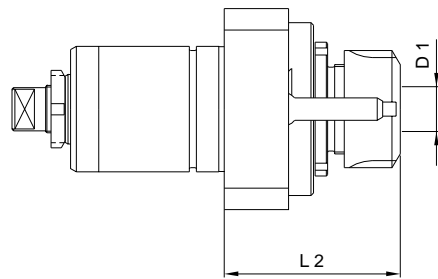
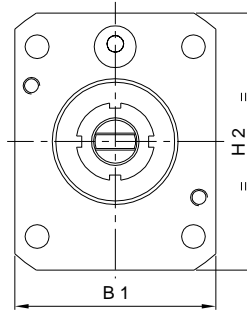
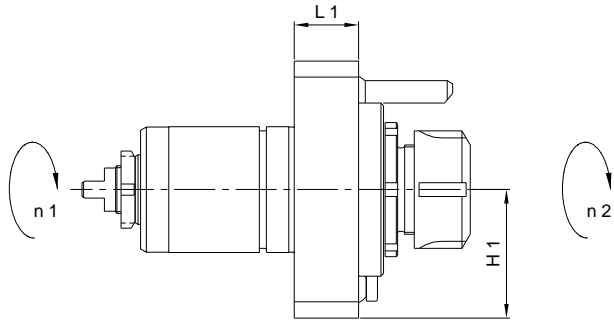
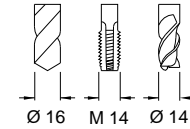


XLU 25-1 R

for **Miyano**

6'000 min -1 / rpm
i = 1:1



Radial-Bohr-Fräseinrichtung
Radial Drilling and Milling Unit
Unità radiale di foratura e fresatura
Unité de perçage et de fraisage radial

Externe Kühlung EKZ
P max. = 70 bar
Interne Kühlmittelzuführung IKZ
P max. = 50 bar
kein Trockenlauf!

External coolant supply ECS
Coolant pressure max. = 70 bar
Coolant through the spindle CTS
Coolant pressure max. = 50 bar
Don't run without coolant!

Liquido refrigerante esterno LRE
Pressione max. = 70 bar
Liquido refrigerante sul fuso LRF
Pressione max. = 50 bar
Non lavorare a secco!

Arrosage par l'extérieur APE
Pression max. = 70 bars
Arrosage par le centre APC
Pression max. = 50 bars
Ne pas tourner sans arrosage!

Machine Types

ABX 51 TH2	BND 51 SY2
ABX 64 TH2	BNE 51 MSY
ABX 51 TH3	BNJ 42 SY
ABX 64 TH3	BNJ 51 SY

	Bestell-Nr. IKZ Ref. No. CTS	Bestell-Nr. EKZ Ref. No. ECS	Radialkopf Radial Head	Lagerung Bearing	L 1	L 2	H 1	H 2	B 1	D 1 max.	Nm max.	Schmierung Lubrication	rpm max. min -1	i n 1 : n 2	Zubehör Accessory	Page
A	14101001250		XLU 25-1 R Hi-Q / ERC 25	Spindellager Angular contact ball bearing	23	68	46	92	72	16	25	Fettschmierung Lubricant grease	6'000	1 : 1		
B		14101000860	XLU 25-1 R Hi-Q / ER 25	Spindellager Angular contact ball bearing	23	63	46	92	72	16	25	Fettschmierung Lubricant grease	6'000	1 : 1	Spannzangen / Collets	018
C	14101001400		XLU 25-1 R Hi-Q / ERC 25	Kegelrollenlager Tapered roller bearing	23	71	46	92	72	16	25	Fettschmierung Lubricant grease	4'000	1 : 1	Dichtscheiben / Sealing Disks	018
D		14101001410	XLU 25-1 R Hi-Q / ER 25	Kegelrollenlager Tapered roller bearing	23	66	46	92	72	16	25	Fettschmierung Lubricant grease	4'000	1 : 1	Spannschlüssel / Spanners	019
															Hochdruck Kühlrohr / High pressure coolant pipe	020