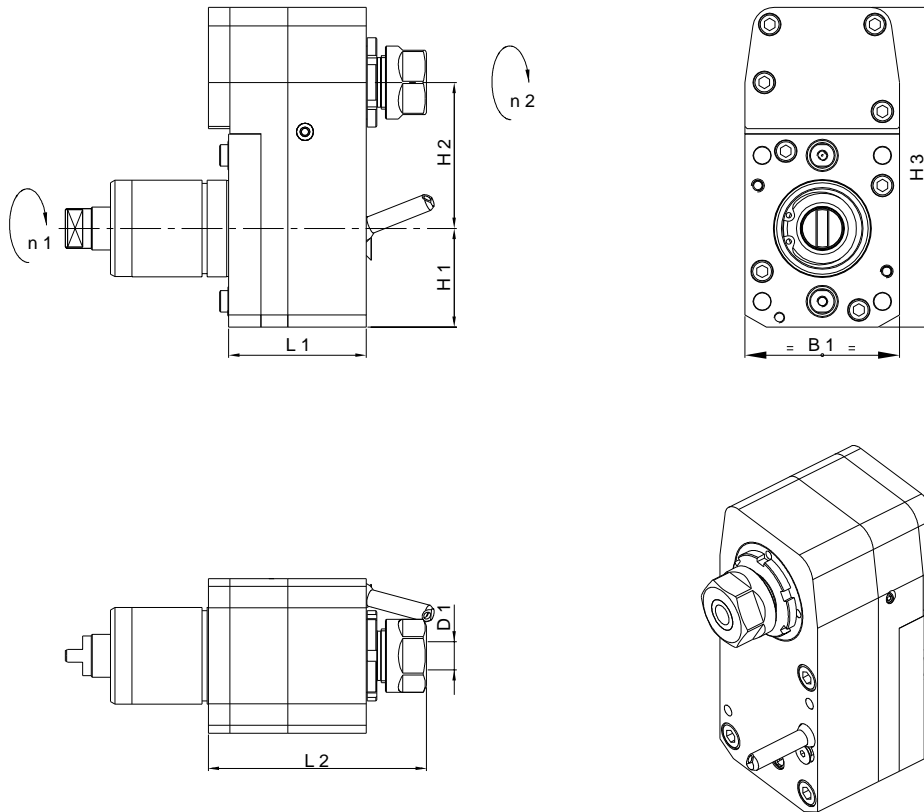
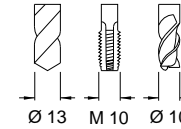


# XLUO 25-1 R

for **Miyano**

10'000 min<sup>-1</sup> / rpm  
i = 1:1,75



Radial-Bohr-Fräseinrichtung  
Radial Drilling and Milling Unit  
Unità radiale di foratura e fresatura  
Unité de perçage et de fraisage radial

- |   |     |
|---|-----|
| Externe Kühlung<br>P max. = 50 bar                            | EKZ |
| Interne Kühlmittelzuführung<br>P max. = 25 bar                | IKZ |
| <b>kein Trockenlauf!</b>                                      |     |
| External coolant supply<br>Coolant pressure max. = 50 bar     | ECS |
| Coolant through the spindle<br>Coolant pressure max. = 25 bar | CTS |
| <b>Don't run without coolant!</b>                             |     |
| Liquido refrigerante esterno<br>Pressione max. = 50 bar       | LRE |
| Liquido refrigerante sul fuso<br>Pressione max. = 25 bar      | LRF |
| <b>Non lavorare a secco!</b>                                  |     |
| Arrosage par l'extérieur<br>Pression max. = 50 bar            | APE |
| Arrosage par le centre<br>Pression max. = 25 bar              | APC |
| <b>Ne pas tourner sans arrosage!</b>                          |     |

- Machine Types**
- |            |            |
|------------|------------|
| ABX 51 TH2 | BND 51 SY2 |
| ABX 64 TH2 | BNE 51 MSY |
| ABX 51 TH3 | BNJ 42 SY  |
| ABX 64 TH3 | BNJ 51 SY  |

	Bestell-Nr. IKZ Ref. No. CTS	Bestell-Nr. EKZ Ref. No. ECS	Radialkopf Radial Head	L 1	L 2	H 1	H 2	H 3	B 1	D 1 max.	Nm max.	Schmierung Lubrication	rpm max. min <sup>-1</sup>	i n 1 : n 2	Zubehör Accessory	Page
A	14101001280		XLUO 15-1 R Hi-Q / ERC 20	64	97	46	68	103	72	13	15	Fettschmierung Lubricant grease	10'000	1 : 1,75	Spannzangen / Collets Dichtscheiben / Sealing Disks	018 018
B		14101001230	XLUO 15-1 R Hi-Q / ER 20	64	92	46	68	103	72	13	15	Fettschmierung Lubricant grease	10'000	1 : 1,75	Spannschlüssel / Spanners Hochdruck Kühlrohr / High pressure coolant pipe	019 020