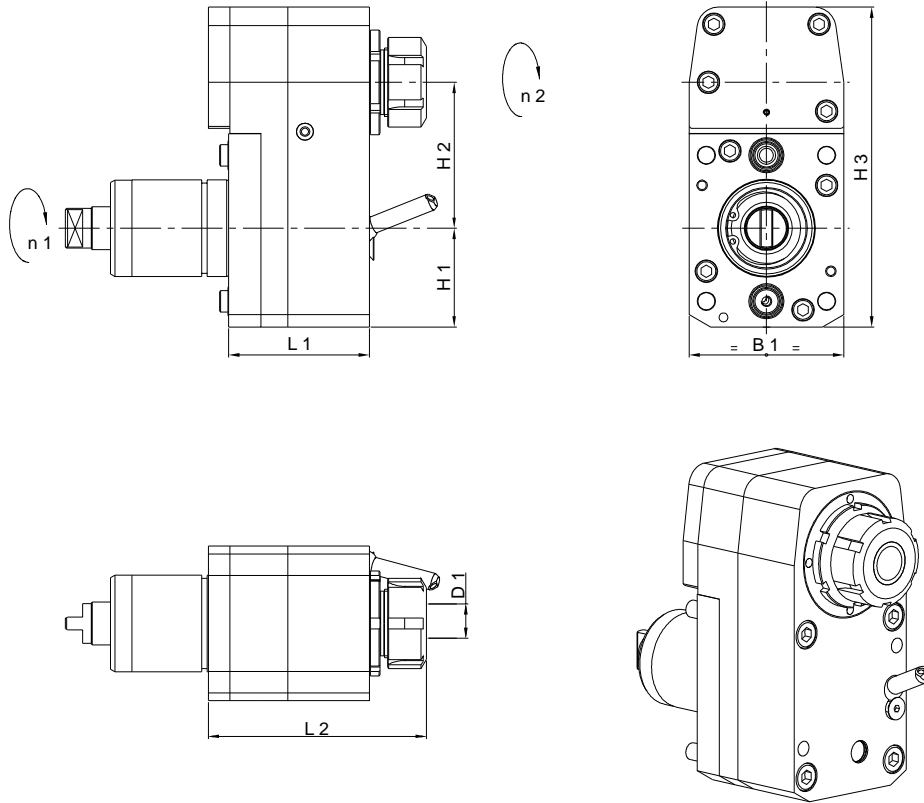
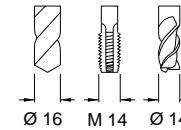


XLUO 45-1 R

for **Miyano**

3'400 min⁻¹ / rpm
i = 1.75:1



Radial-Bohr-Fräseinrichtung
Radial Drilling and Milling Unit
Unità radiale di foratura e fresatura
Unité de perçage et de fraisage radial

- | | |
|---|-----|
| Externe Kühlung P max. = 50 bar | EKZ |
| Interne Kühlmittelzuführung P max. = 25 bar | IKZ |
| kein Trockenlauf! | |
| External coolant supply Coolant pressure max. = 50 bar | ECS |
| Coolant through the spindle Coolant pressure max. = 25 bar | CTS |
| Don't run without coolant! | |
| Liquido refrigerante esterno Pressione max. = 50 bar | LRE |
| Liquido refrigerante sul fuso Pressione max. = 25 bar | LRF |
| Non lavorare a secco! | |
| Arrosage par l'extérieur Pression max. = 50 bar | APE |
| Arrosage par le centre Pression max. = 25 bar | APC |
| Ne pas tourner sans arrosage! | |

- Machine Types**
- | | |
|------------|------------|
| ABX 51 TH2 | BND 51 SY2 |
| ABX 64 TH2 | BNE 51 MSY |
| ABX 51 TH3 | BNJ 42 SY |
| ABX 64 TH3 | BNJ 51 SY |

| | Bestell-Nr. IKZ Ref. No. CTS | Bestell-Nr. EKZ Ref. No. ECS | Radialkopf Radial Head | L 1 | L 2 | H 1 | H 2 | H 3 | B 1 | D 1 max. | Nm max. | Schmierung Lubrication | rpm max. min ⁻¹ | i n 1 : n 2 | Zubehör Accessory | Page |
|---|---------------------------------|---------------------------------|------------------------------|------|-----|-----|-----|-----|-----|-------------|------------|------------------------------------|-------------------------------|----------------|--|------------|
| A | 14101001260 | | XLUO 25-1 R Hi-Q / ERC 25 | 65.5 | 97 | 46 | 68 | 149 | 72 | 16 | 45 | Fettschmierung Lubricant grease | 3'400 | 1.75 : 1 | Spannzangen / Collets Dichtscheiben / Sealing Disks | 018 018 |
| B | | 14101001240 | XLUO 25-1 R Hi-Q / ER 25 | 65.5 | 92 | 46 | 68 | 149 | 72 | 16 | 45 | Fettschmierung Lubricant grease | 3'400 | 1.75 : 1 | Spannschlüssel / Spanners Hochdruck Kühlrohr / High pressure coolant pipe | 019 020 |