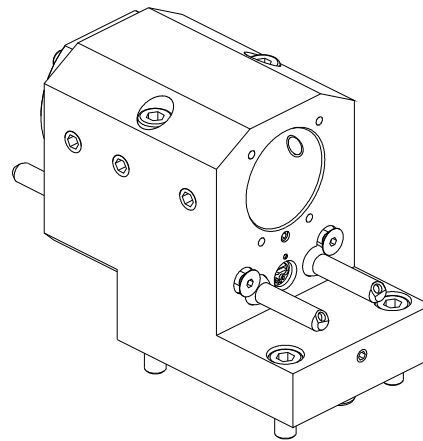
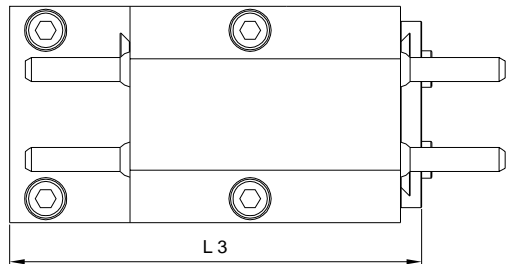
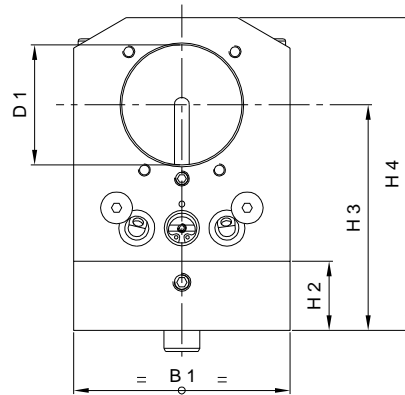
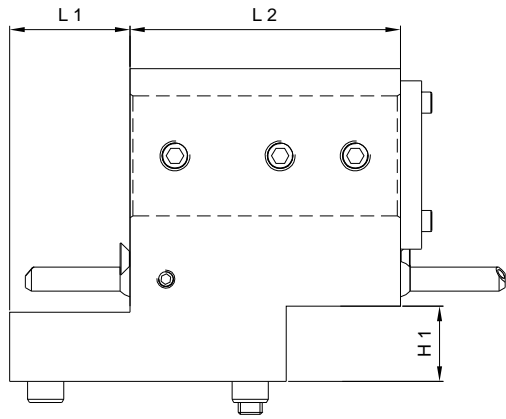


# ZAS 40-1 A

for **Miyano**



Bohrstangenaufnahme Boring Bar Tool Holder Porta utensili per interni Porte foret	
Externe Kühlung Interne Kühlmittelzuführung P max. = 70 bar	EKZ IKZ
External coolant supply Coolant through the spindle Coolant pressure max. = 70 bar	ECS CTS
Liquido refrigerante esterno Liquido refrigerante sul fuso Pressione max. = 70 bar	LRE LRF
Arrosage par l'extérieur Arrosage par le centre Pression max. = 70 bars	APE APC

Machine Types	
ABX 51 TH2	BND 51 SY2
ABX 64 TH2	BNE 51 MSY
ABX 51 TH3	BNJ 42 SY
ABX 64 TH3	BNJ 51 SY

Bestell-Nr. Ref. No.	Bohrstangenaufnahme Boring Bar Tool Holder	L 1	L 2	L 3	H 1	H 2	H 3	H 4	B 1	D 1	Zubehör Accessory	Page
A 14910002520	ZAS Ø 40-1 A	40	90	137	25	23	75	104	72	40	Hochdruck Kühlrohr / High pressure coolant pipe	020