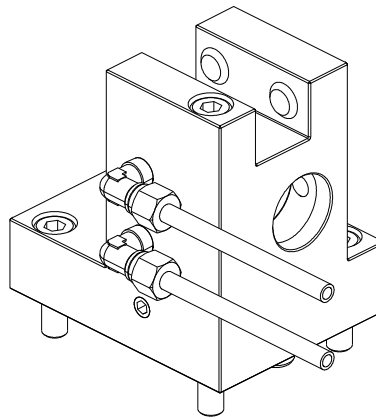
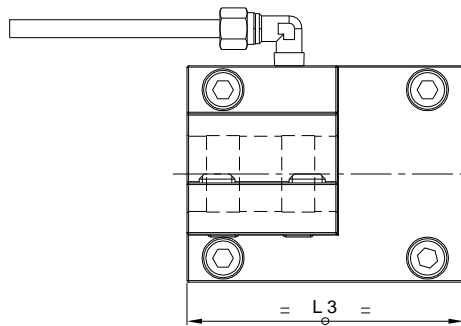
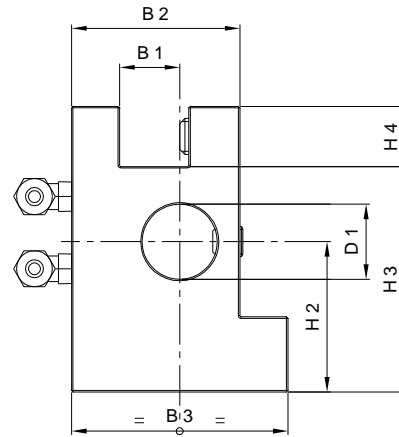
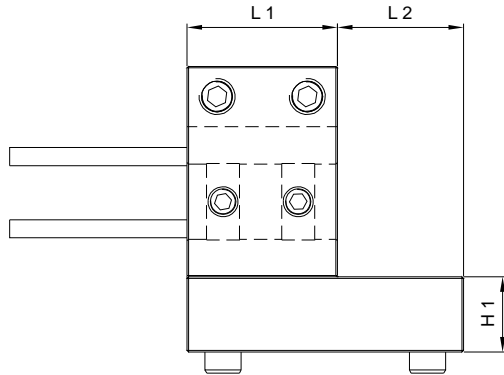


ZAS 25+20x20-2 A

for **Miyano**



Bohrstangenaufnahme & Plandrehhalter
Boring Bar & Face Turning Tool Holder
Porta utensili per interni et frontale
Porte foret de dressage et de chariotag

Externe Kühlung EKZ
P max. = 70 bar

External coolant supply ECS
Coolant pressure max. = 70 bar

Liquido refrigerante esterno LRE
Pressione max. = 70 bar

Arrosage par l'extérieur APE
Pression max. = 70 bars

Machine Types

ABX 51 TH2	BND 51 SY2
ABX 64 TH2	BNE 51 MSY
ABX 51 TH3	BNJ 42 SY
ABX 64 TH3	BNJ 51 SY

Bestell-Nr. Ref. No.	Bohrstangenaufnahme Boring Bar Tool Holder	L 1	L 2	L 3	L 4	H 1	H 2	H 3	H 4	B 1	B 2	B 3	D 1	Zubehör Accessory	Page
A	14910001610 ZAS Ø25+20x20-2 A	50	42	92	91.5	25	50	75	20	20	56	72	25	-	