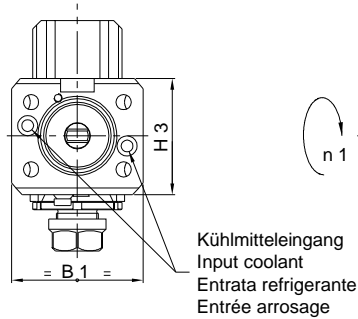
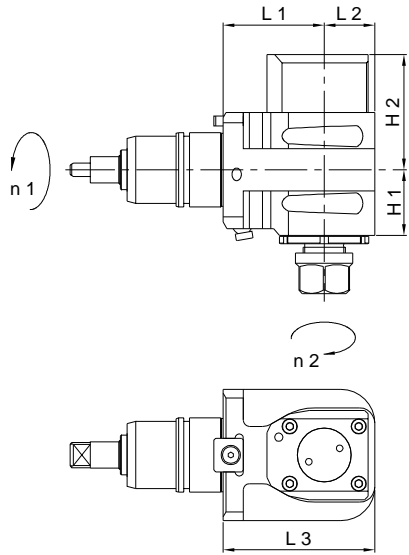
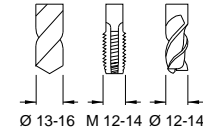


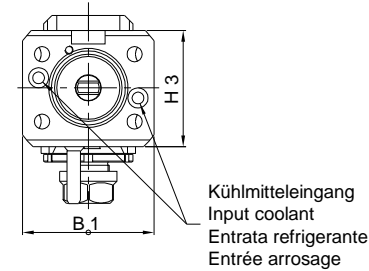
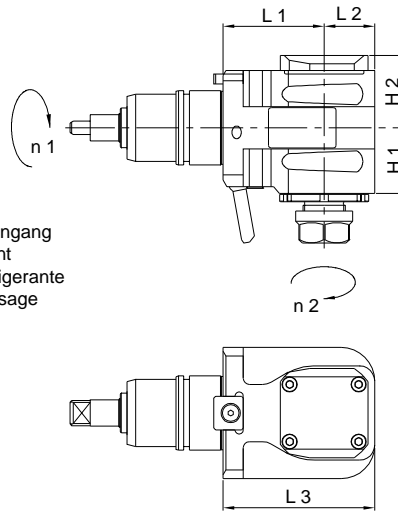


**Turret 62 mm**

**6'000 min<sup>-1</sup> / rpm**  
**i = 1:1**



Kühlmitteleingang  
Input coolant  
Entrata refrigerante  
Entrée arrosage



Kühlmitteleingang  
Input coolant  
Entrata refrigerante  
Entrée arrosage

Axial-Bohr-Fräseinrichtung  
Drilling and Milling Axial Unit  
Testa assiale di foratura e fresatura  
Unité de perçage et de fraiseage axial

Externe Kühlung EKZ  
Interne Kühlmittelzuführung IKZ  
P max. = 70 bar  
kein Trockenlauf!

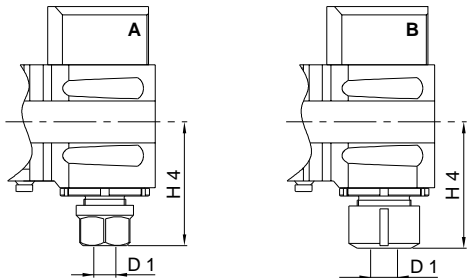
External coolant supply ECS  
Coolant through the spindle CTS  
Coolant pressure max. = 70 bar  
Don't run without coolant!

Liquido refrigerante esterno LRE  
Liquido refrigerante sul fuso LRF  
Pressione max. = 70 bar  
Non lavorare a secco!

Arrosage par l'extérieur APE  
Arrosage par le centre APC  
Pression max. = 70 bars  
Ne pas tourner sans arrosage!

**Spindelvarianten / Spindle executions / Esecuzione fusi / Exécutions de broches**

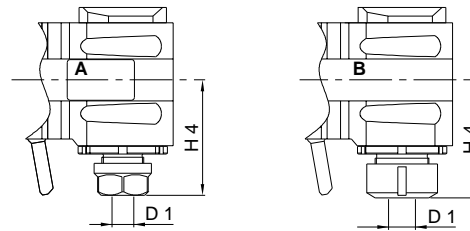
**IKZ / CTS**



Hi-Q / ERC 20

Hi-Q / ERC 25

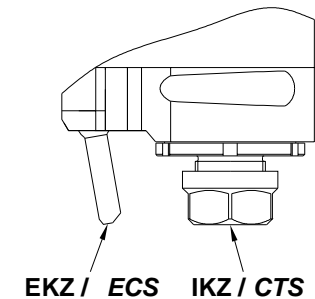
**EKZ / ECS**



Hi-Q / ER 20

Hi-Q / ER 25

Kühlmittelausgang  
Output coolant  
Uscita refrigerante  
Sortie arrosage



	Bestell-Nr. IKZ Ref. No. CTS	Bestell-Nr. EKZ Ref. No. ECS	Winkelkopf Angle Head	L 1	L 2	L 3	H 1	H 2	H 3	H 4	B 1	D 1 Ø max.	Nm max.	Schmierung Lubrication	rpm max. min <sup>-1</sup>	i n 1 : n 2	Zubehör Accessory
A	14800001710	14800001590	LAU 25-1 A Hi-Q / ERC20	60	30	90	39	68.5	69	73.5	78	13	25	Fettschmierung Lubricant grease	6'000	1:1	Spannzangen / Coletts Spannschlüssel / Spanners
			LAU 25-1 A Hi-Q / ER20					43		68.5							
B	14800001690	-	LAU 25-1 A Hi-Q / ERC25	60	30	90	39	68.5	69	75	78	16	25	Fettschmierung Lubricant grease	6'000	1:1	
			LAU 25-1 A Hi-Q / ER25					-		-							