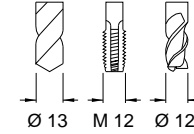


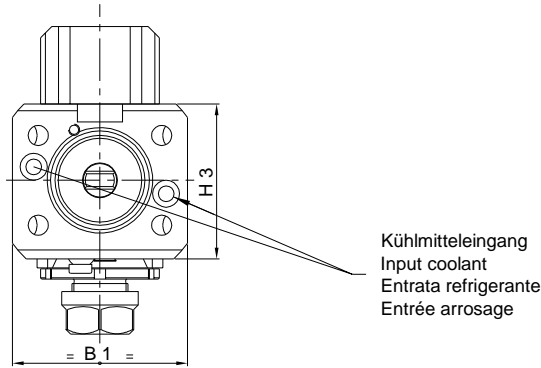
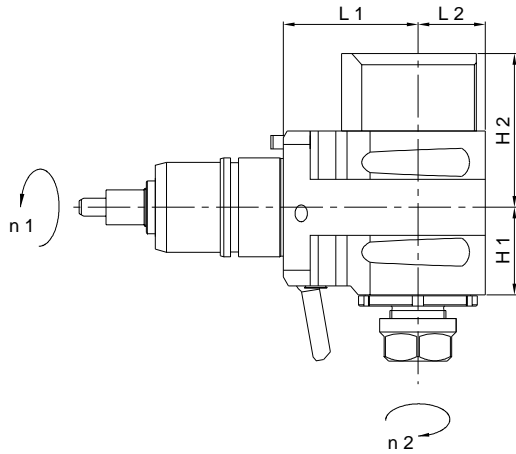


Turret 62 mm

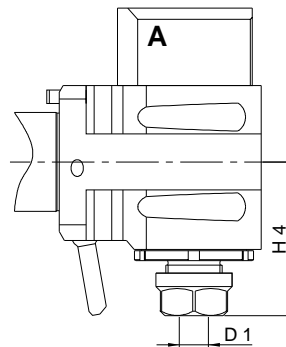
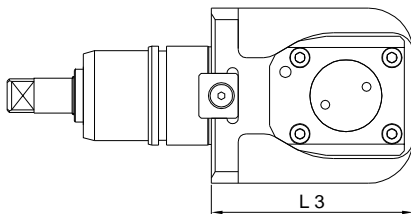
6'000 min⁻¹ / rpm
i = 1:1



Axial-Bohr-Fräseinrichtung Drilling and Milling Axial Unit Testa assiale di foratura e fresatura Unité de perçage et de fraisage axial	
Externe Kühlung Interne Kühlmittelzuführung P max. = 70 bar kein Trockenlauf!	EKZ IKZ
External coolant supply Coolant through the spindle Coolant pressure max. = 70 bar Don't run without coolant!	ECS CTS
Liquido refrigerante esterno Liquido refrigerante sul fuso Pressione max. = 70 bar Non lavorare a secco!	LRE LRF
Arrosage par l'extérieur Arrosage par le centre Pression max. = 70 bars Ne pas tourner sans arrosage!	APE APC



Spindelvarianten / Spindle executions / Esecuzione fusi / Exécutions de broches



Hi-Q / ER 20

Best.-Nr. IKZ / EKZ Ref. No. CTS / ECS	Axialkopf Axial Head	L 1	L 2	L 3	H 1	H 2	H 3	H 4	B 1	D 1 Ø max.	Nm max.	Schmierung Lubrication	rpm max. min ⁻¹	i n 1 : n 2	Zubehör Accessory
A 14800001580	LAU 25-1 A Hi-Q / ER 20	60	30	90	39	68.5	69	68.5	78	13	25	Fettschmierung Lubricant grease	6'000	1:1	Spannzangen / Coletts Spannschlüssel / Spanners