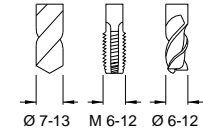




6'000 min -1 / rpm
i = 1:1



Axial-Bohr-Fräseinrichtung
Drilling and Milling Axial Unit
Testa assiale di foratura e fresatura
Unité de perçage et de fraisage axial

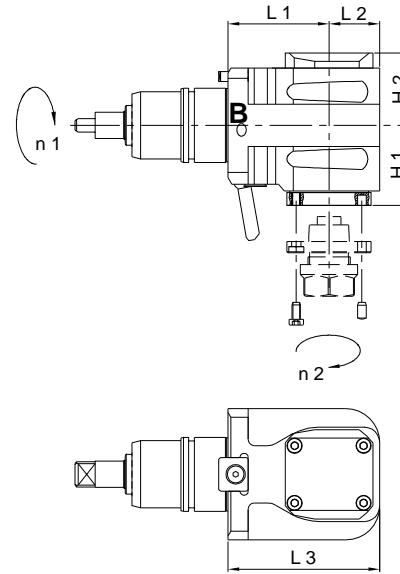
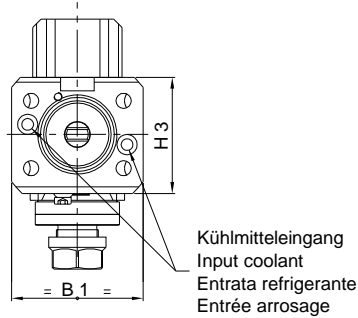
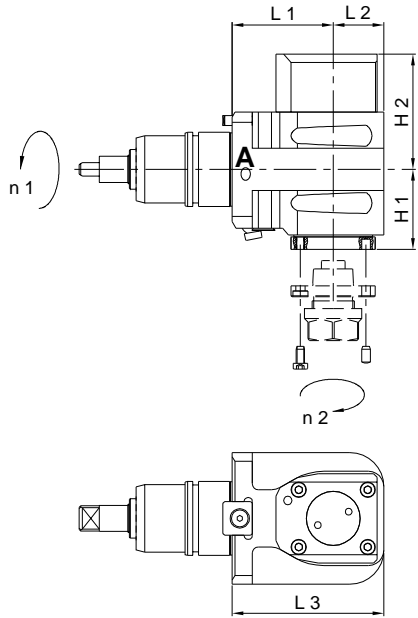
Externe Kühlung EKZ
Interne Kühlmittelzuführung IKZ
P max. = 70 bar
kein Trockenlauf!

External coolant supply ECS
Coolant through the spindle CTS
Coolant pressure max. = 70 bar
Don't run without coolant!

Liquido refrigerante esterno LRE
Liquido refrigerante sul fuso LRF
Pressione max. = 70 bar
Non lavorare a secco!

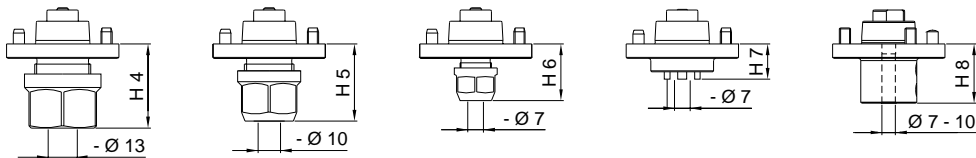
Arrosage par l'extérieur APE
Arrosage par le centre APC
Pression max. = 70 bars
Ne pas tourner sans arrosage!

Turret 62 mm



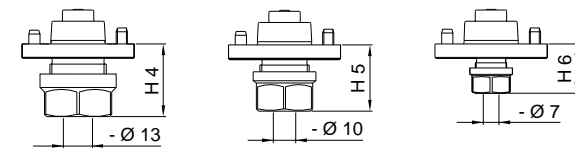
Spindelvarianten / Spindle executions / Esecuzione fusi / Exécutions de broches

IKZ / CTS



Hi-Q / ERC20 14420000280 IKZ
Hi-Q / ERC16 14420000290 IKZ
Hi-Q / ERC11 14420000310 IKZ
Hi-Q / ERAX-11 14420000270 EKZ
Weldon
 Ø 6 14420001270
 Ø 6 14420001280
 Ø 6 14420001290

EKZ / ECS



Hi-Q / ER20 14420000240 EKZ
Hi-Q / ER16 14420000250 EKZ
Hi-Q / ER11 14420000260 EKZ

	Bestell-Nr. IKZ Ref. No. CTS	Bestell-Nr. EKZ Ref. No. ECS	Winkelkopf Angle Head	L 1	L 2	L 3	H 1	H 2	H 3	H 4	H 5	H 6	H 7	H 8	B 1	Nm max.	Schmierung Lubrication	rpm max. min -1	i n 1 : n 2	Zubehör Accessory
A	14800001740	-	LAU 25-1 A PTS	60	30	90	47.5	68.5	35	37.5	34.5	25.3	15.7	26.5	78	25	Fettschmierung Lubricant grease	6'000	1:1	Spannzangen / Colets Spannschlüssel / Spanners
B	-	14800001730	LAU 25-1 A PTS	60	30	90	47.5	43	35	32.5	29.5	22	-	26.5	78	25	Fettschmierung Lubricant grease	6'000	1:1	