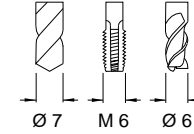


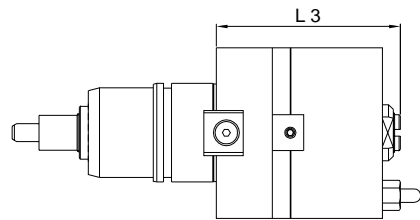
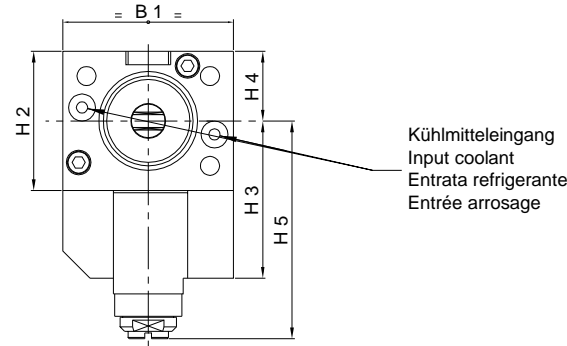
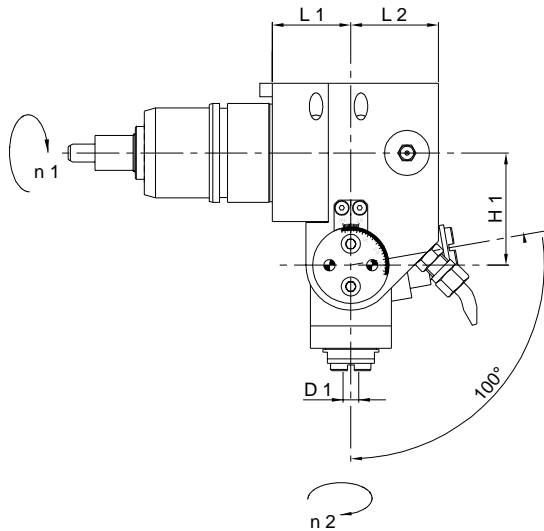


**Turret 62 mm**

**6'000 min<sup>-1</sup> / rpm**  
**i = 1:1**



Axial / Radial -Bohrkopf Axial / Radial Drilling Unit Testa assiale / radiale di foratura Unité de perçage axial /radiale	
Externe Kühlmittelzuführung	EKZ
External coolant supply	ECS
Liquido refrigerante esterno	LRE
Arrosage par l'extérieur	APE



	Bestell-Nr. EKZ Ref. No. ECS	Universalkopfkopf 0° - 100° Universal Head	L 1	L 2	L 3	H 1	H 2	H 3	H 4	B 1	D 1 Ø max.	Nm max.	Schmierung Lubrication	rpm max. min <sup>-1</sup>	i n 1 : n 2	Zubehör Accessory
<b>A</b>	14825000180	LAUA 20-1 0-100° Hi-Q / ERAX 11	35	74	82	50	70	31	97	76	7	-	Fettschmierung Lubricant grease	6'000	1:1	Spannzangen / Coletts Spanschlüssel / Spanners
<b>B</b>	14825000110	LAUA 20-1 0-100° Hi-Q / ERAX 11	21	47	68	50	70	31	97	76	7	-	Fettschmierung Lubricant grease	6'000	1:1	