



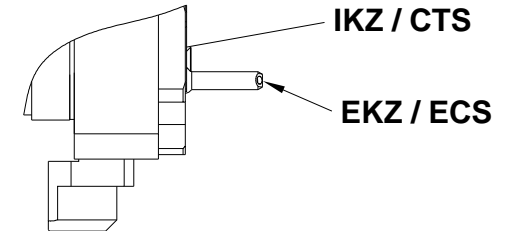
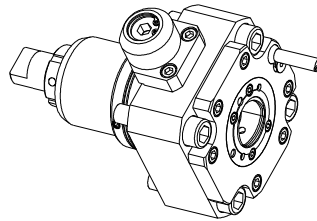
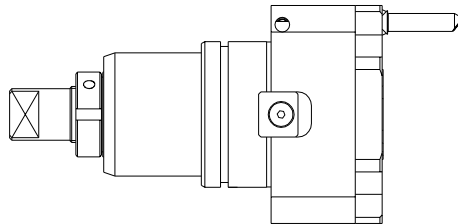
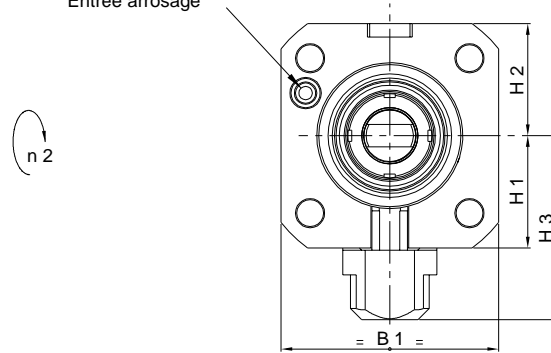
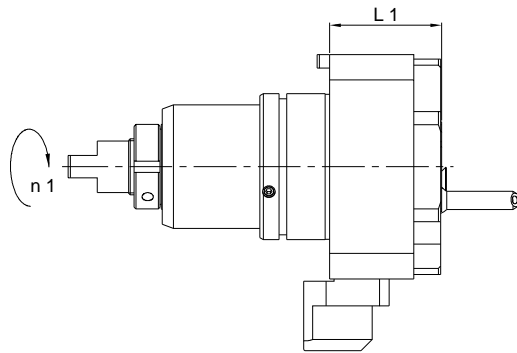
Turret 80 mm

6'000 min⁻¹ / rpm
i = 1:1



Certified by
Sandvik Coromant

Kühlmitteleingang
Input coolant
Entrata refrigerante
Entrée arrosage



Radial-Bohr-Fräseinrichtung
Radial Drilling and Milling Unit
Unità radiale di foratura e fresatura
Unité de perçage et de fraiseage radial

Externe Kühlung EKZ
Interne Kühlmittelzuführung IKZ
P max. = 50 bar
kein Trockenlauf!

External coolant supply ECS
Coolant through the spindle CTS
Coolant pressure max. = 50 bar
Don't run without coolant!

Liquido refrigerante esterno LRE
Liquido refrigerante sul fuso LRF
Pressione max. = 50 bar
Non lavorare a secco!

Arrosage par l'extérieur APE
Arrosage par le centre APC
Pression max. = 50 bars
Ne pas tourner sans arrosage!

	Best.-Nr. IKZ / EKZ Ref. No. CTS / ECS	Radialkopf Radial Head	L 1	H 1	H 2	H 3	B 1	Nm max.	Schmierung Lubrication	rpm max. min ⁻¹	i n 1 : n 2	Zubehör Accessory
A	14101002640	LLU 60-1 R C4 Su-matic Capto C4	50	50	50	82	97	60	Fettschmierung Lubricant grease	6'000	1:1	Werkzeughalter Tool Holder