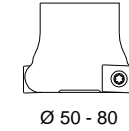


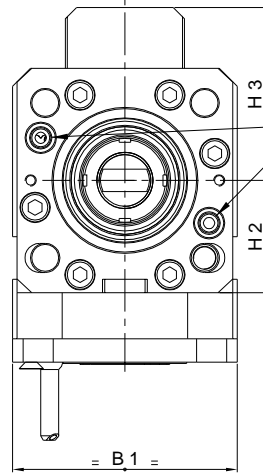
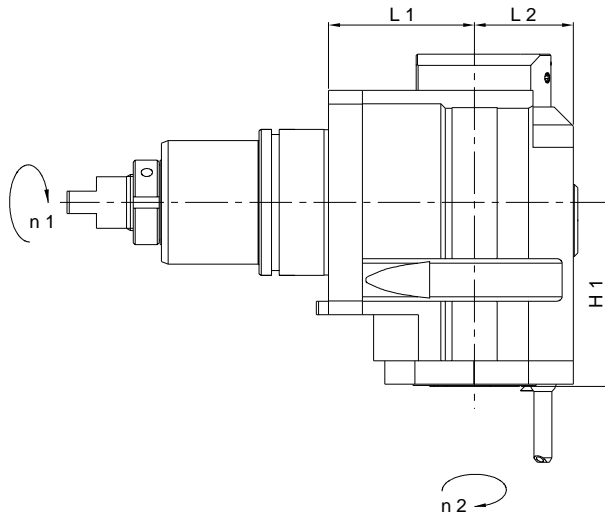


**Turret 80 mm**

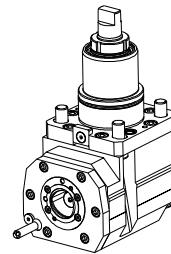
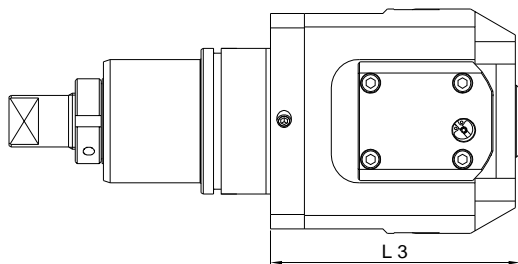
**6'000 min -1 / rpm**  
**i = 1:1**



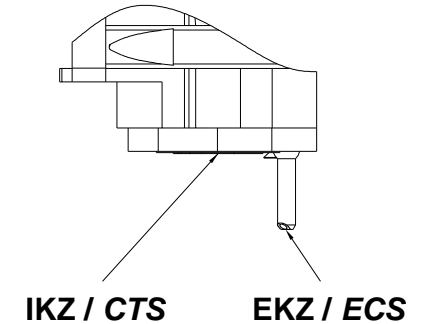
*Certified by  
Sandvik Coromant*



Kühlmitteleingang  
Input coolant  
Entrata refrigerante  
Entrée arrosage



Kühlmittelausgang  
Output coolant  
Uscita refrigerante  
Sortie arrosage



Axial-Bohr-Fräseinrichtung  
Drilling and Milling Axial Unit  
Testa assiale di foratura e fresatura  
Unité de perçage et de fraisage axial

Externe Kühlung EKZ  
Interne Kühlmittelzuführung IKZ  
P max. = 70 bar  
kein Trockenlauf!

External coolant supply ECS  
Coolant through the spindle CTS  
Coolant pressure max. = 70 bar  
Don't run without coolant!

Liquido refrigerante esterno LRE  
Liquido refrigerante sul fuso LRF  
Pressione max. = 70 bar  
Non lavorare a secco!

Arrosage par l'extérieur APE  
Arrosage par le centre APC  
Pression max. = 70 bars  
Ne pas tourner sans arrosage!

	Best.-Nr. IKZ / EKZ Ref. No. CTS / ECS	Axialkopf Axial Head	L 1	L 2	L 3	H 1	H 2	H 3	B 1	Nm max.	Schmierung Lubrication	rpm max. min -1	i n 1 : n 2	Zubehör Accessory
A	14800003750	LAU 60-1 A Su-matic Capto C4	65	44	111	82	50	66	100	60	Fettschmierung Lubricant grease	6'000	1:1	Werkzeughalter Tool Holder