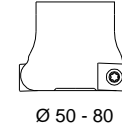


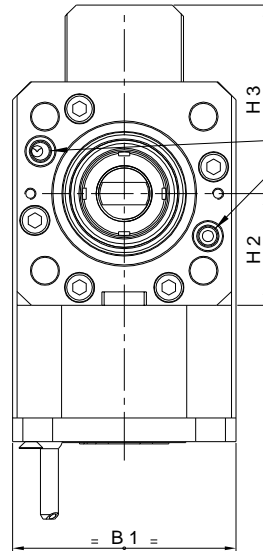
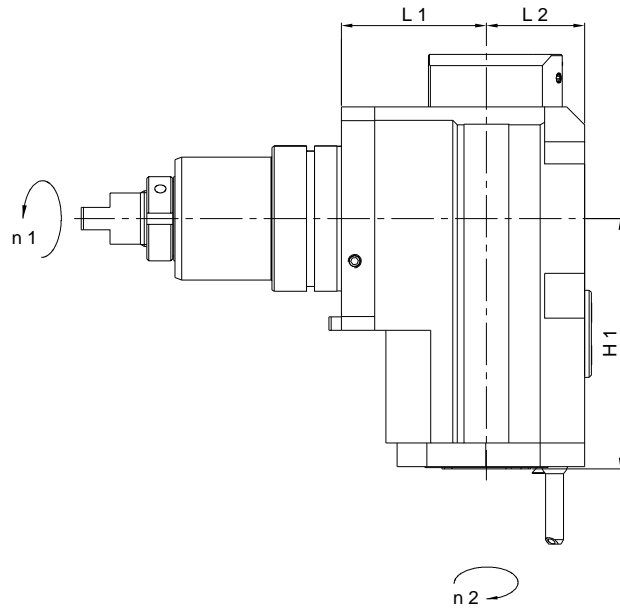


Turret 80 mm

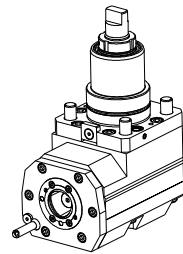
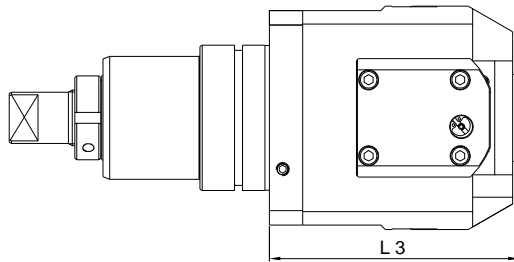
8'000 min⁻¹ / rpm
i = 1:2



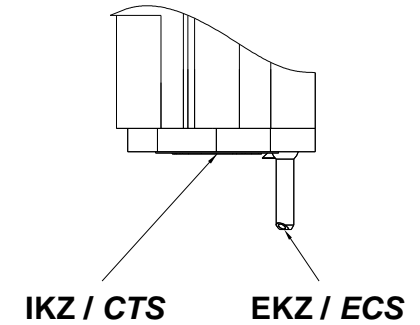
**Certified by
Sandvik Coromant**



Kühlmitteleingang
Input coolant
Entrata refrigerante
Entrée arrosage



Kühlmittelausgang
Output coolant
Uscita refrigerante
Sortie arrosage



Axial-Bohr-Fräseinrichtung
Drilling and Milling Axial Unit
Testa assiale di foratura e fresatura
Unité de perçage et de fraisage axial

Externe Kühlung EKZ
Interne Kühlmittelzuführung IKZ
P max. = 70 bar
kein Trockenlauf!

External coolant supply ECS
Coolant through the spindle CTS
Coolant pressure max. = 70 bar
Don't run without coolant!

Liquido refrigerante esterno LRE
Liquido refrigerante sul fuso LRF
Pressione max. = 70 bar
Non lavorare a secco!

Arrosage par l'extérieur APE
Arrosage par le centre APC
Pression max. = 70 bars
Ne pas tourner sans arrosage!

	Best.-Nr. IKZ / EKZ Ref. No. CTS / ECS	Axialkopf Axial Head	L 1	L 2	L 3	H 1	H 2	H 3	B 1	Nm max.	Schmierung Lubrication	rpm max. min ⁻¹	i n 1 : n 2	Zubehör Accessory
A	14800003760	LAU 20-1 A Su-matic Capto C4	65	44	112	112	50	84.5	100	20	Fettschmierung Lubricant grease	8'000	1:2	Werkzeughalter Tool Holder