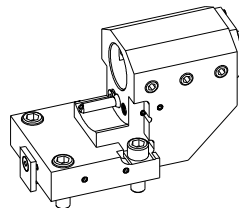
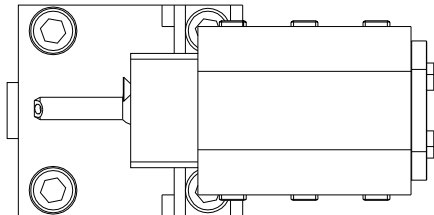
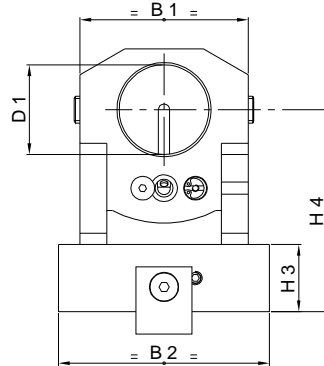
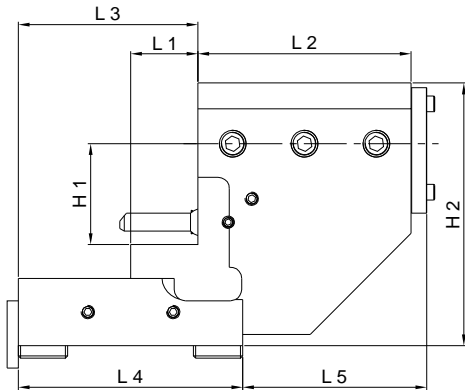




**NAKAMURA-TOME WT 300**

**Turret 80 mm**



Bohrstangenaufnahme Boring Bar Tool Holder Porta utensili per interni Porte foret	
Externe Kühlung Interne Kühlmittelzuführung P max. = 70 bar	EKZ IKZ
External coolant supply Coolant through the spindle Coolant pressure max. = 70 bar	ECS CTS
Liquido refrigerante esterno Liquido refrigerante sul fuso Pressione max. = 70 bar	LRE LRF
Arrosage par l'extérieur Arrosage par le centre Pression max. = 70 bars	APE APC

	Bestell-Nr. Ref. No.	Bohrstangenaufnahme Boring Bar Tool Holder	L 1	L 2	L 3	L 4	L 5	H 1	H 2	H 3	H 4	B 1	B 2	D 1 Ø	Zubehör Accessorie
A	14910003290	LASO Ø 40-1 A	30	80	95	100	82	45	117	30	90	75	94	40	Reduzierhülsen / Reduction Bushings