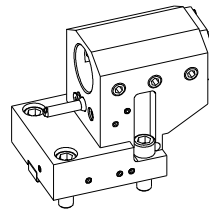
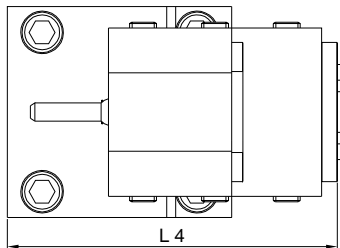
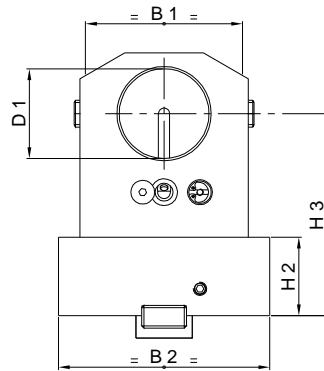
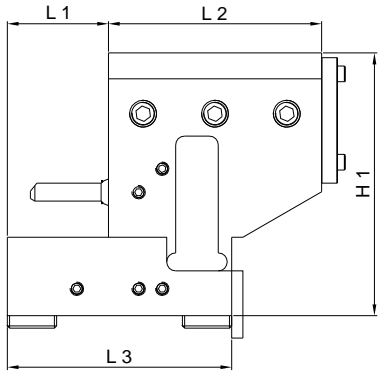




NAKAMURA-TOME WT 300

Turret 80 mm



Bohrstangenaufnahme Boring Bar Tool Holder Porta utensili per interni Porte foret	
Externe Kühlung Interne Kühlmittelzuführung P max. = 70 bar	EKZ IKZ
External coolant supply Coolant through the spindle Coolant pressure max. = 70 bar	ECS CTS
Liquido refrigerante esterno Liquido refrigerante sul fuso Pressione max. = 70 bar	LRE LRF
Arrosage par l'extérieur Arrosage par le centre Pression max. = 70 bars	APE APC

Bestell-Nr. Ref. No.	Bohrstangenaufnahme Boring Bar Tool Holder	L 1	L 2	L 3	L 4	H 1	H 2	H 3	B 1	B 2	D 1 Ø	Zubehör Accessorie
A 14910002730	LASO Ø 40-1 A	45	95	100	147	117	30	90	75	94	40	Reduzierhülsen / Reduction Bushings