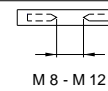


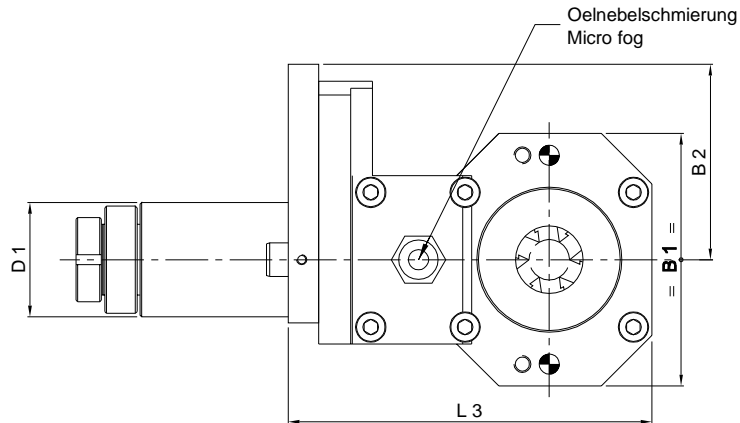
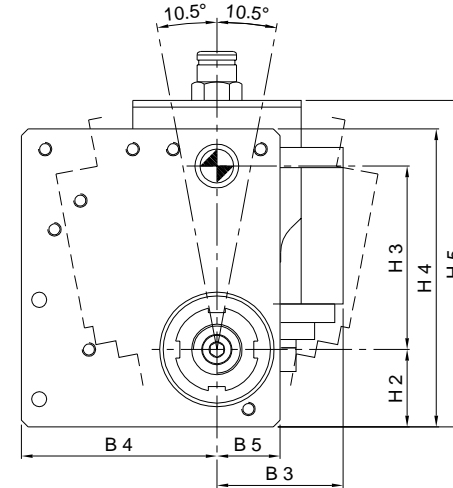
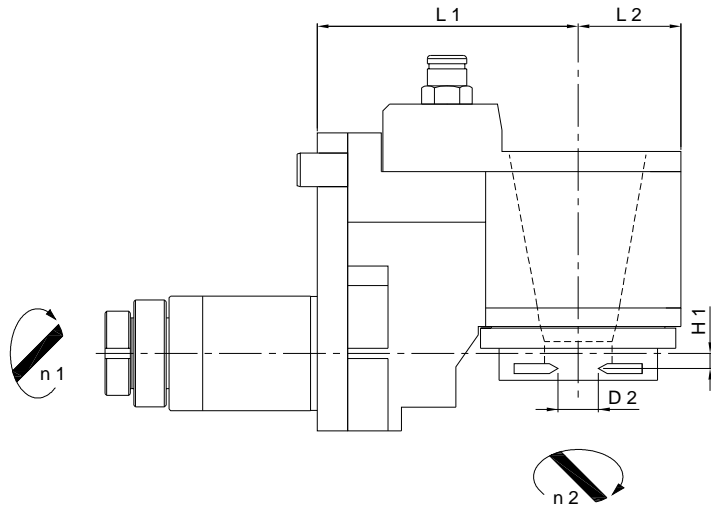
Star LAUW 13-1 A

6'000 min -1 / rpm
i = 1:1

Schwanog
Ref. No. 194346



Gewinde-Wirbeleinrichtung
Thread whirling unit
Filettatura a mulinello
Unité tourbillonnaire



Machine Types

SR-32J
SR-32J N

Auch einsetzbar auf / Also usable on

ECAS-12
ECAS-20
SR-20J C
SR-20J N
SR-20RII
SR-20RIII

| Ref. No. Star | Ref. No. Su-matic | Gewindewirbelkopf Thread whirling unit | L 1 | L 2 | L 3 | H 1 | H 2 | H 3 | H 4 | H 5 | B 1 | B 2 | B 3 | B 4 | B 5 | D 1 | D 2 | Nm max. | Schmierung Lubrication | rpm max. min -1 | i n 1 : n 2 | Zubehör Accessory | Page |
|---------------|-------------------|---|------|------|-----|-----|-----|------|------|-----|-----|-----|------|-----|-------|-----|-----|---------|---------------------------|--------------------|----------------|----------------------|------|
| A | - | 14700000090 LAUW 13-1 A | 77.5 | 30.5 | 108 | 4.5 | 23 | 54.5 | 88.5 | 97 | 75 | 58 | 37.5 | 58 | 18.75 | 34 | 12 | 13 | Oelnebel Micro fog | 6'000 | 1 : 1 | - | |