

# Driven Units for TORNOS-DECO Lathe


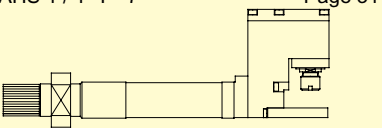

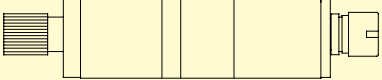
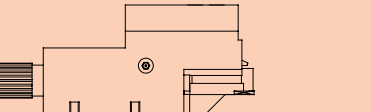


*TORNOS DECO 20a*

We supplied different heads for DECO machines. In this course we became a complete system provider for high quality driven tools. Traditionally we develop and produce special holders. Most of these tool holders are designed for specific requirements and to make your machines more productive.



*Driven unit to DECO 20/26*

DECO 7/10	DECO 13	DECO 20/26
SUM 12 / I Page 01 	AHS 1 / 1 T - 7 Page 31 	SUM 25 L TOR Page 91 
	SUM 20 L Page 32 	Polygon Head AHS 3 / 1 Page 92 

*Overview of available heads*